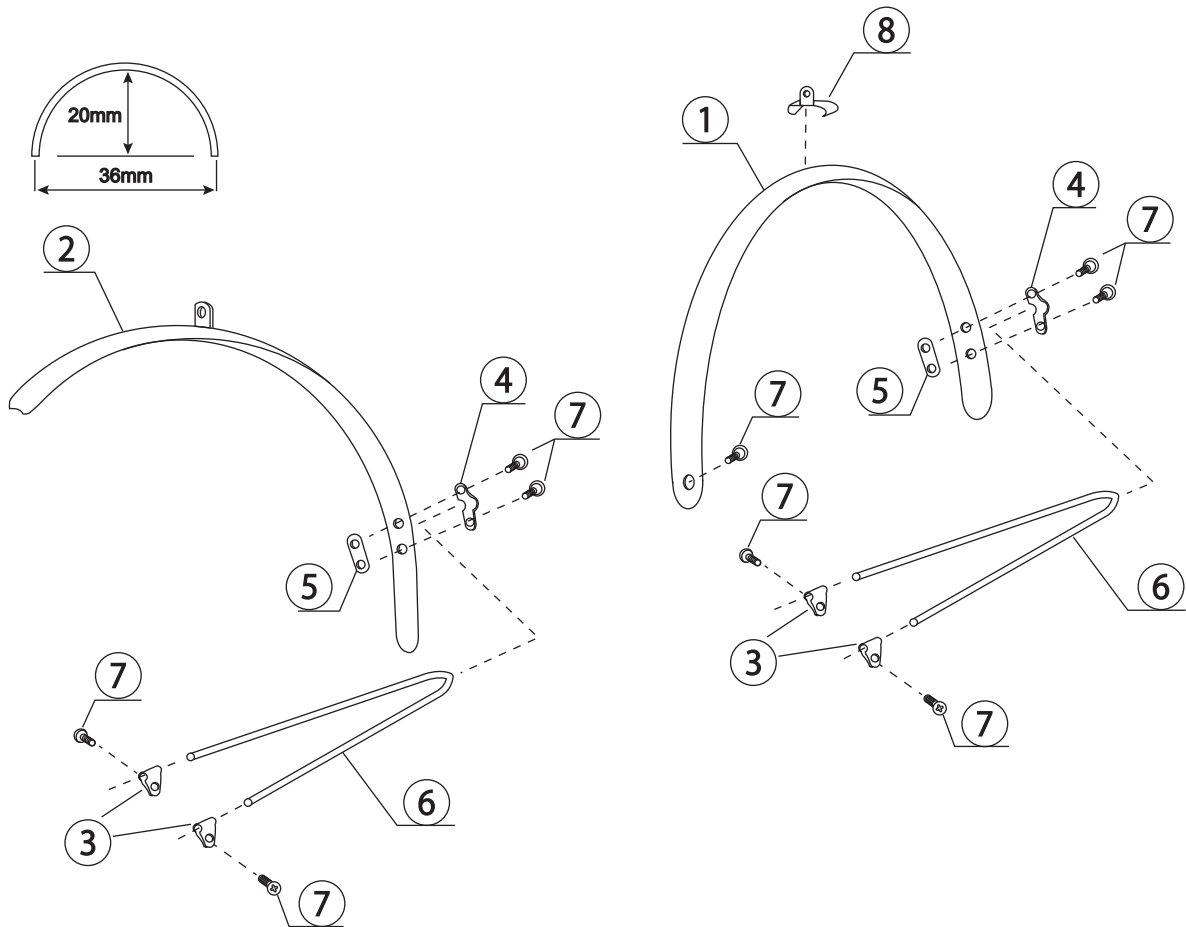


## ENE CICLO FENDER(F-1/F-2) SPECIFICATION



### Parts List:

- 1.Rear fender
- 2.Front fender
- 3.R-clips x 4
- 4.Fender brackets
- 5.Fender brackets
- 6.Fender stays
- 7.Mounting bolts x 9 (M5 x L10)
- 8.Sliding bracket

### Basic Specifications :

- Application wheel drive : 700\*23~28C
- Fender width : 36 mm
- Fender depth : 20 mm
- Fender length(front) : 735mm
- Fender length(rear) : 1140 mm

DIA-COMPE TAIWAN CO.,LTD.

No.62,35th RD, Taichung Industrial Park. Taichung, Taiwan R.O.C  
TEL:886-4-2359-1117 E-mail:diatech@ms15.hinet.net

November, 2012