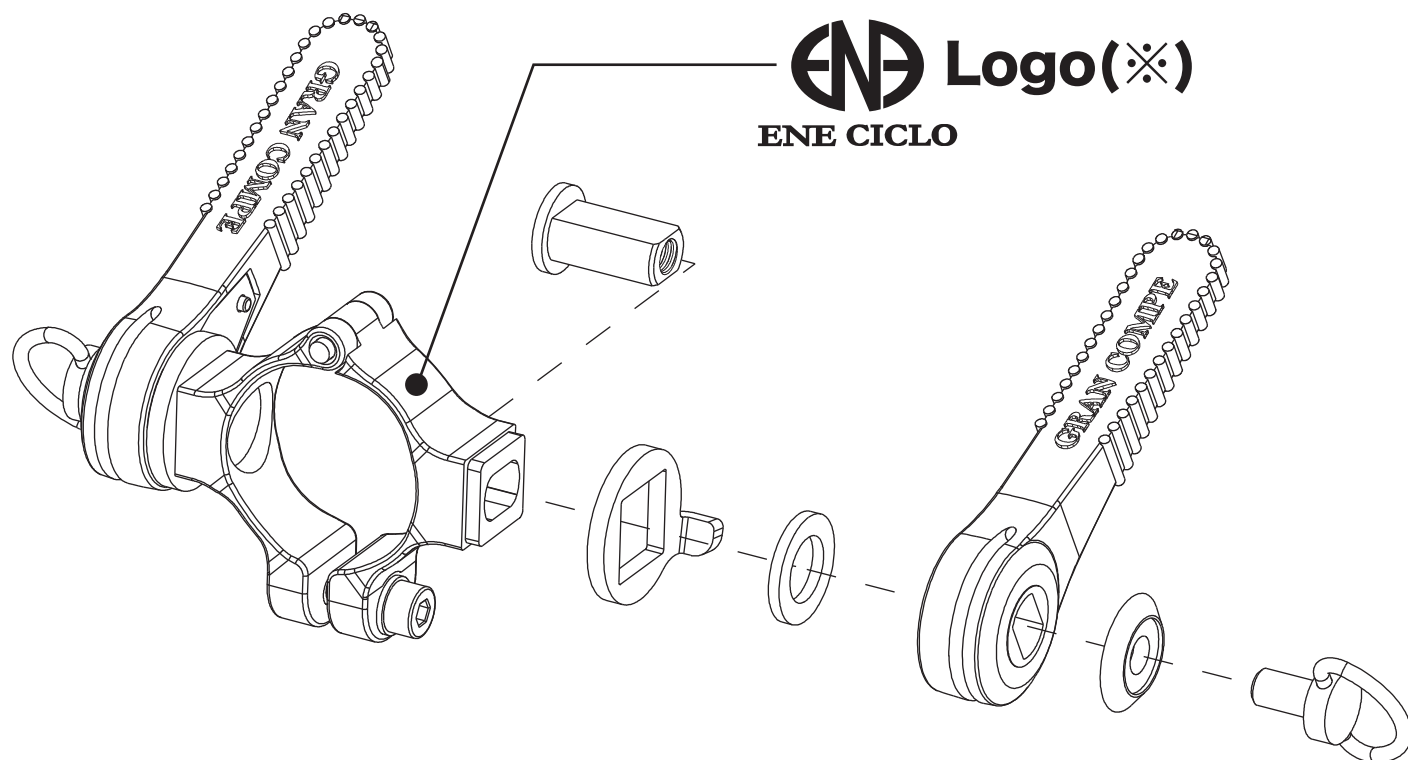
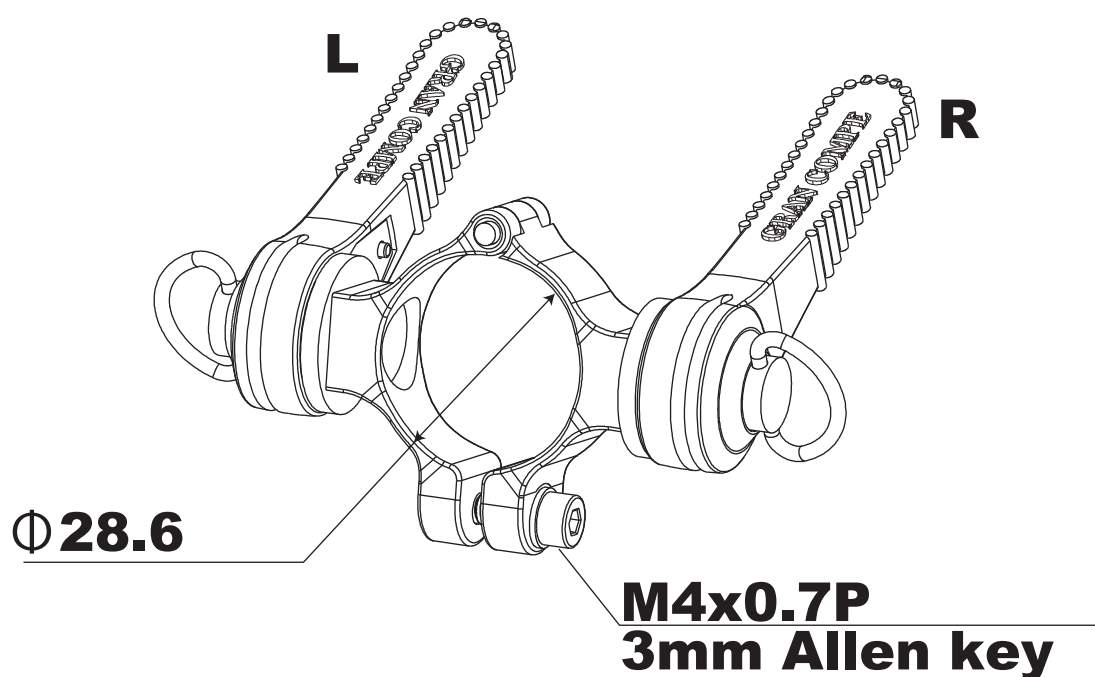


ENE Down Tube Shifter



- Release M4 bolt to Right direction with 3mm Hexagon Allen key, then assembly it on the frame (Bolt head and ENE logo is on the same side)
- Assemble clamp on Down Tube with Tightening a torque 30-50kgf-cm



DIA-COMPE TAIWAN CO.,LTD.
diatech@ms15.hinet.net
www.diacompe.com.tw