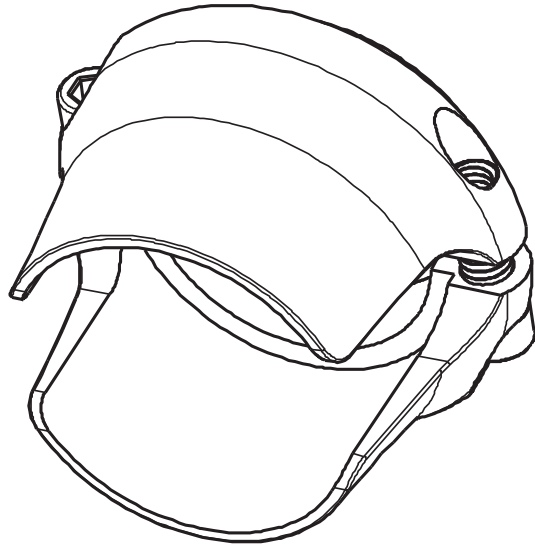


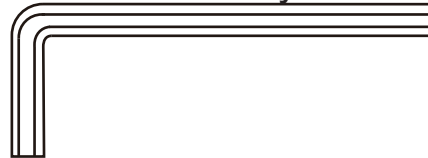
# INSTALLATION OF ENE CICLO Bar Tape Clamp

- Clamp diameter: Min  $\Phi 22.2\text{mm}$ - $\Phi 24\text{mm}$
- ENE CICLO Bar Tape Clamp is a device to buckle bartape end on handle bars.
- Outer casings under bar tape can come out through the cut slots.(Fig.2)
- Any damages or accidents caused by irregular usages cannot be guaranteed.
- When assemble the bar tape clamps, two bolts must be tighten evenly.  
(Tightening torque:3.5N·m)



Clamp diameter: $\Phi 22.2\sim\Phi 23.8$

3mm Hex key wrench



Tightening a torque  
35kgf·cm(3.5N·m)

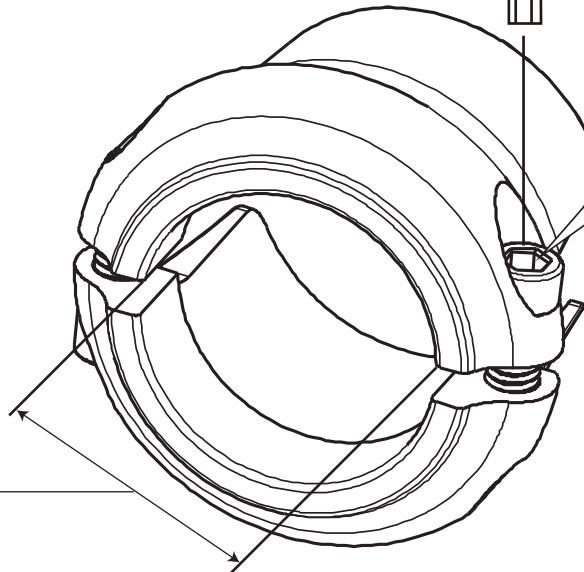


Fig.2